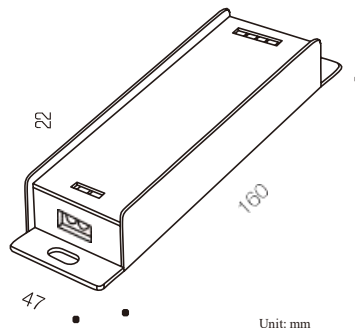




CE RoHS



Specifications

Model: SOL9001

Input: DC12-36V

Output: Max 8A

Control channels: 1CH

Protection Grade: IP20

Gross Weight: 220g

MAX Power: 96W-288W

Frequency: 1.8KHz

Signal Input: 0/1-10V

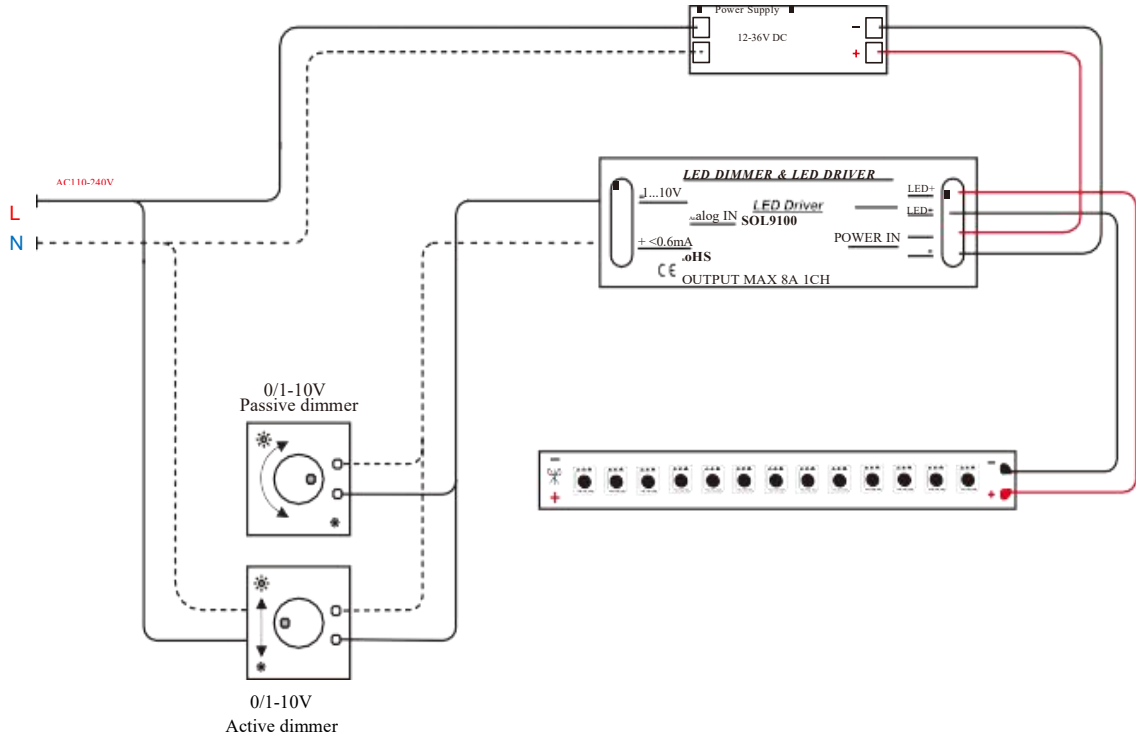
The light gray level: 256

Work Temp.: -30°C~70°C

Basic Features

- ◆ When the power turn off,it has memory function.
- ◆ With the self-test function,support short circuit and overcurrent protection functions.
- ◆ Single channel constant voltage output,Max.8A per channel. Support active and passive to use.
- ◆ Analog Signal driver,receive 1-10V dimming signal.

Wiring Diagram



Suitable lamps and lanterns



Wall Washing Lamp



LED Strip



LED Hard Light Bar



Geographic Light



AR111