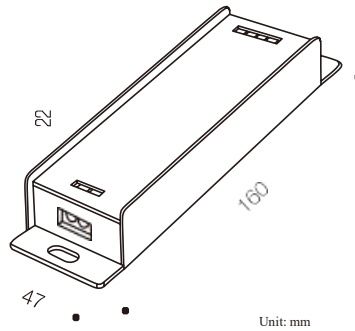


# SOL Driver Data sheet

Part No./: SOL8001



CE RoHS



## Specifications

Model: SOL8001

Input: DC12–36V

Output: Max 8A

Control channels: 1CH

Protection Grade: IP20

Gross Weight: 220g

MAX Power: 96W–288W

Frequency: 1.8KHz

Signal Input: DALI–Switch

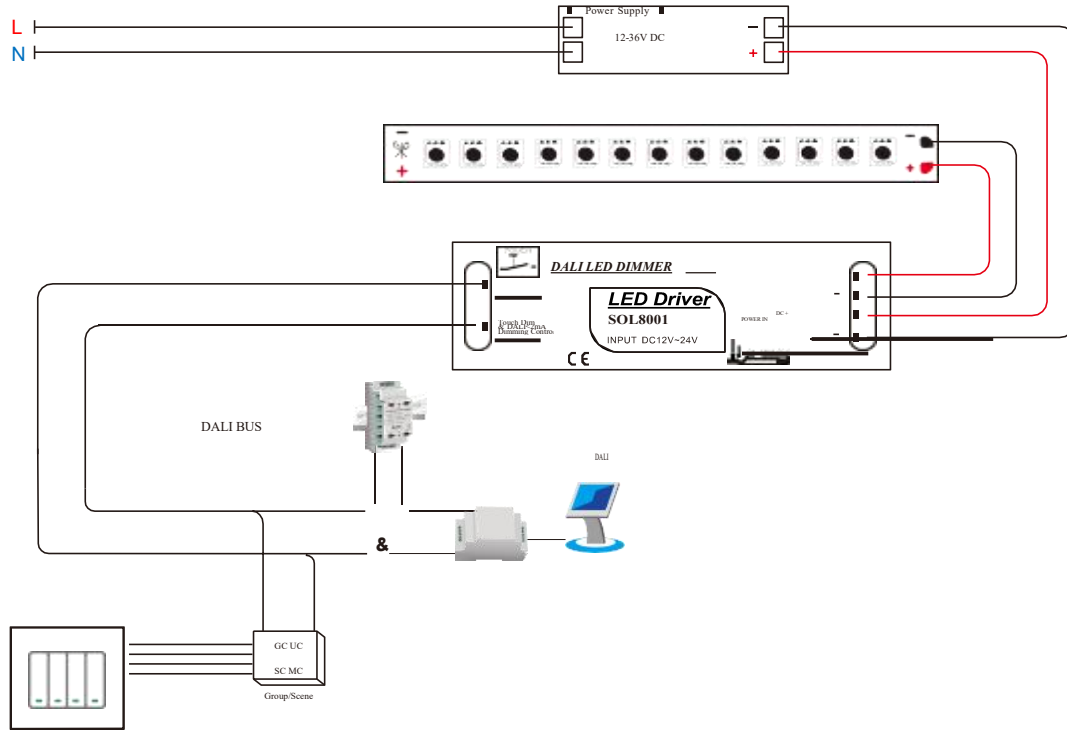
The light gray level: 256

Work Temp.: –30°C~70°C

## Basic Features

- ◆ Single – channel constant pressure output.
- ◆ Dali digital control input , dimming control led module.
- ◆ Dimming range from 0 – 100 % ( led brightness starts at 1 % ).
- ◆ Support for touch dimmer ( 220 vac dimming mode )

## Wiring Diagram



## Suitable lamps and lanterns



Wall Washing Lamp



LED Strip



LED Hard Light Bar



Geographic Light



AR111