



## Description

SOL-LEDSP-20C series Surge Protective Device is specially designed to be used in outdoor LED lighting system fixtures for transient overvoltage protection. It is mainly constructed by themally protectedvaristors and gas discharge tube devices, It can be installed in LED lamp or lamp post.

## Features

- ◆ Suitable for use in luminaire with Class I or Class II installations
- ◆ Protection mode : L-N、 L-PE、 N-PE
- ◆ Built-in thermal detachment function, higher security
- ◆ Parallel wiring, easy maintenance
- ◆ Excellent impact resistance, low voltage limit
- ◆ Built-in LED indication, saves maintenance time by identifying replacement need
- ◆ IP67-Dust-tight and water resistant

## Applications

- ◆ digital signage
- ◆ flood lighting
- ◆ street lighting
- ◆ roadway lighting
- ◆ parking garage lighting
- ◆ traffic lighting
- ◆ tunnel lighting
- ◆ wall wash lighting
- ◆ AC-LED lighting

## Electrical specifications

Part Number	SOL-LEDSP-20C
Operating Voltage/Un(Vac)	240V
Maximum Continuous Operating Voltage/MCOV/Uc(VAC) <sup>1</sup>	275V
Rated load current/IL(A)	-
Nominal Discharge Current/In(kA) <sup>2</sup>	10kA
Maximum Discharge Current/Imax(kA) <sup>3</sup>	20kA
Open Voltage/Uoc(kV)	20kV
Voltage Protective Level/Up(V) <sup>4</sup>	≤ 1.2kA
Drain Current Ir	≤ 5 uA
Connection mode	Series connection
Power System	TN
Protection Degree	IP67
Response time Ta	≤ 25ns
Sheathing material	Flame retardant engineering plastics
External dimension	96*53*30mm

1. MCOV/Uc(VAC): The Maximum Continuous Operating Voltage can be continuously applied to the SPD.

2. Nominal Discharge Current(In)(kA): The nominal discharge current is a measure of the SPDs endurance capability 15 impulses of discharge current uses the 8/20us current waveform.

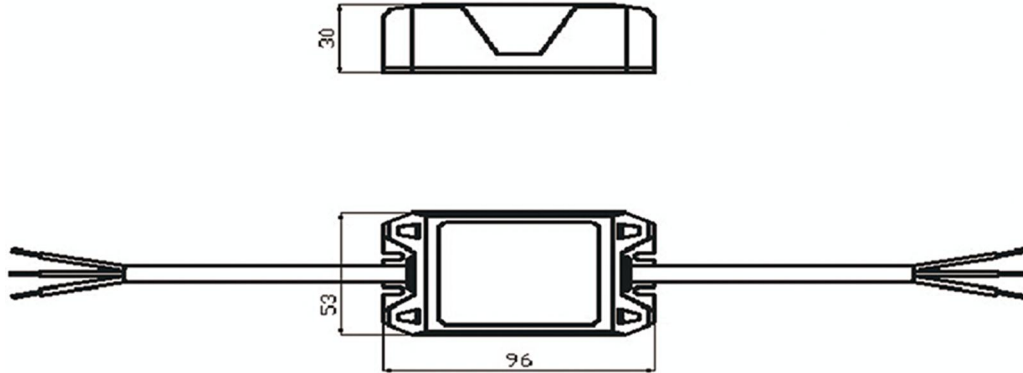
3. Maximum Discharge Current(Imax)(kA): The maximum discharge current is a measure of the SPDs maximum capability single impulse of discharge current uses the 8/20us current waveform. All Devices pass maximum discharge current with possible, safe opening of thermal disconnect.

4. Voltage Protective Level/Up: The highest value of residual voltage measurements during the application of impulses of 8/20us nominal discharge(In); arounding voltage value of maximum measurement.

# Surge Protector Data sheet

Part No./: SOL-LEDSP-20C

## Dimensions



## Application/Installation

